

AISLELOK™

AisleLok™ Under Rack Panel

Part Number

10103



Under Rack Panel - Part No. 10103

Applications

Designed to seal a variety of openings below the rack on new and existing raised server racks, the Under Rack Panel will block bypass airflow and maximize cooling system efficiency of the data center.

The AisleLok™ Under Rack Panel is the premium choice for your facility. Its revolutionary sealing technology was designed to allow easy modifications creating the flexibility to seal large and unique openings such as those found under various sized racks and cabinets.

Based on measurements at multiple data centers, on average 60% of valuable conditioned air is not reaching the air intake of IT equipment due to unsealed floor openings. This lost air, known as bypass airflow, contributes to IT equipment hot spots, cooling unit inefficiencies, and increasing infrastructure costs. AisleLok products specifically address bypass airflow and its detrimental effects on data center cooling.

Features

- Under Rack Panel seals more effectively than a comparable thickness brush without sagging
- Under Rack Panel contains an PVC support frame for a reliable attachment to the rack
- Acrylic adhesive tape application is a more durable, long term adhesive than glue compounds or magnetic attachments
- Quick and easy installation - Peel and Stick
- AisleLok products are compliant with directive 2002/95/EC of the European Parliament and the Council on the Restriction of the Use of Certain Hazardous Substances in Electrical and Electric Equipment (RoHS).

Benefits

- EVA (Ethylene Vinyl Acetate) solid foam panel prevents sagging common in comparable products with brush type fills
- Strong acrylic adhesive for permanent attachment to rack and safe attachment in the field
- Simple installation saves time, labor and requires no downtime
- Non-magnetic application that generates no particulates
- Supports increasing rack and cabinet density
- Increases existing cooling unit capacity
- Reduces the need to purchase additional cooling units
- Improves IT equipment reliability and extends equipment life
- Complies with best practices for both raised floor and slab computer room cooling configurations (Legacy, Hot and Cold Aisle, Hot Aisle Containment, Cold Aisle Containment, etc.)
- EVA Blade extends .125" on both ends to ensure consistent sealing when placed on adjacent racks



Specifications

Dimensions and Cutting Requirements	Inches	Millimeters
Part No. 10103 - Overall size (length x height x max depth)	24.0" x 2.5" x 1.0"	608 x 60 x 25mm
Under Rack Gap Sealing Heights	1.0" - 2.5"	25 - 60mm
Maximum Under Rack Sealing Length	24.0"	608mm

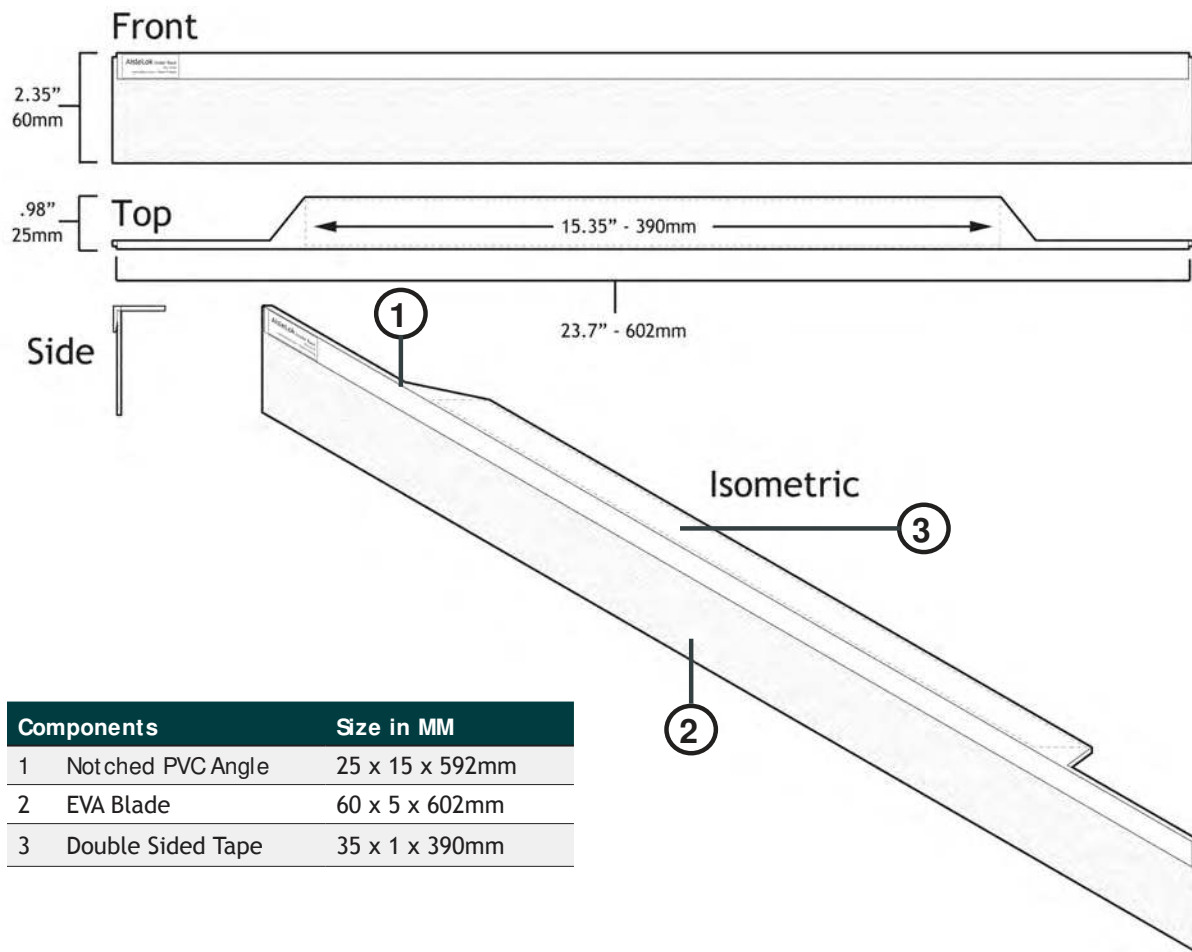
Patent Pending Sealing System

U.S. and International patent pending
 Angled design creates a more effective seal than any comparable sealing product on the market.

Sealing Effectiveness

Patent Pending design is a more effective method of sealing airflow under the rack than using comparable brushes or filament materials alone.

Product Drawings



Components	Size in MM
1 Notched PVC Angle	25 x 15 x 592mm
2 EVA Blade	60 x 5 x 602mm
3 Double Sided Tape	35 x 1 x 390mm

Under Rack Panel EVA

The Under Rack Panel is made from 1/8" Thick
 EVA Sealing Material and durable PVC
 Finish: Black
 Flammability Rating: None

Under Rack Mounting System

Custom adhesive mounting kit consisting of:
 Double-sided, acrylic adhesive backing pre-attached to an
 PVC mounting frame