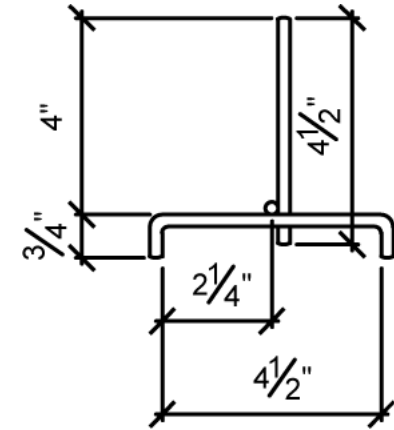
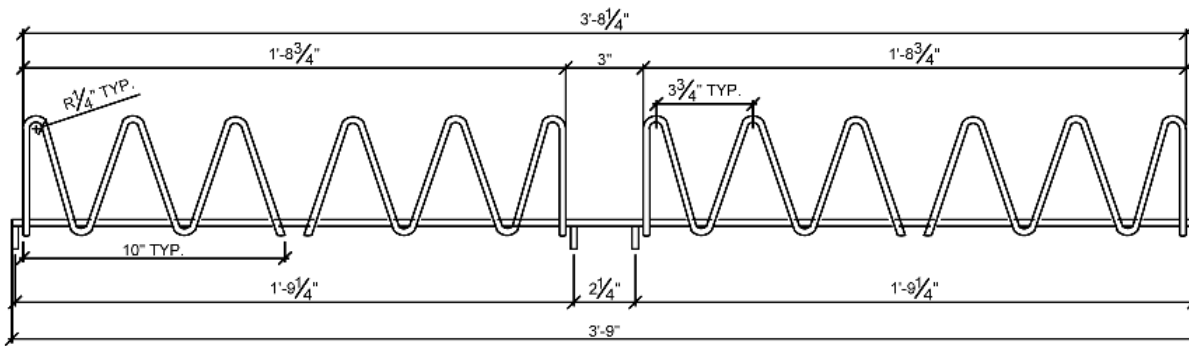


**ISOMETRIC VIEW**



**SECTION VIEW**



**ELEVATION VIEW**

**NOTE:** 1/4" 3GA GALVANIZED STEEL  
TYPICAL, ALL WIRES

**GENERAL NOTES:**

- USED TO SEPARATE CABLE BUNDLES WITHIN A SELECTED TRAY WIDTH
- CAN BE CUT IN FIELD TO 24"



**CABLE TRAY DIVIDER  
CTD484  
(48" Long X 4" High)**