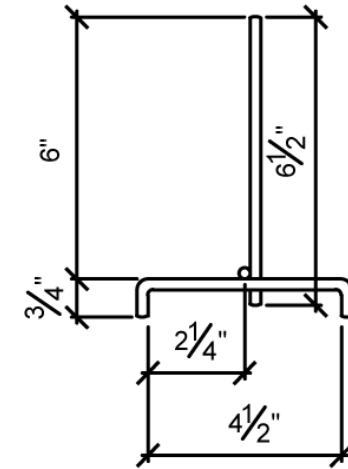
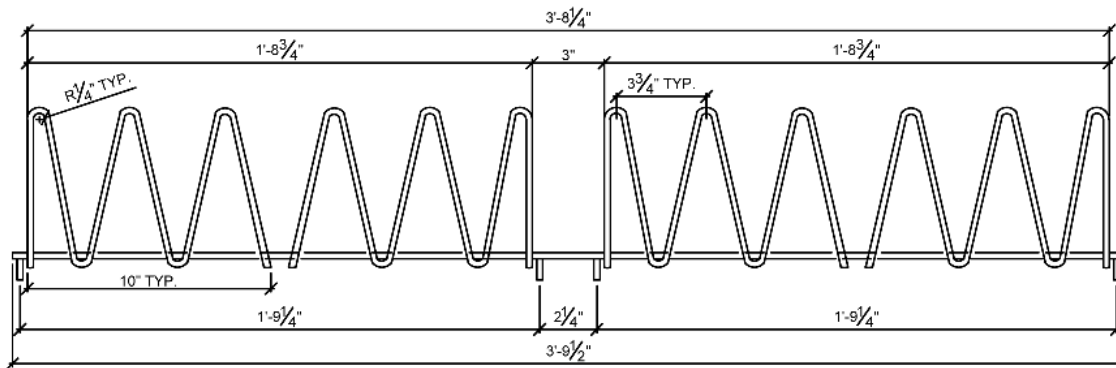


ISOMETRIC VIEW



SECTION VIEW



ELEVATION VIEW

NOTE: 1/4" 3GA GALVANIZED STEEL
TYPICAL, ALL WIRES

GENERAL NOTES:

- USED TO SEPARATE CABLE BUNDLES WITHIN A SELECTED TRAY WIDTH
- CAN BE CUT IN FIELD TO 24"



CABLE TRAY DIVIDER
CTD486
(48" Long X 6" High)