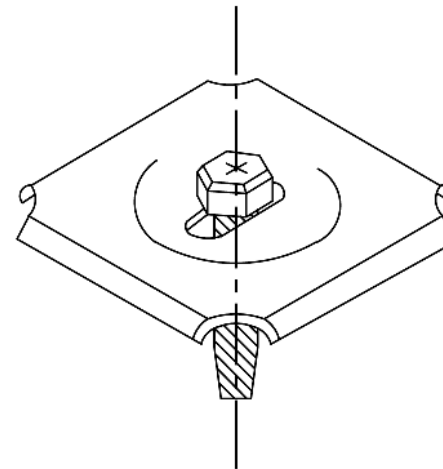


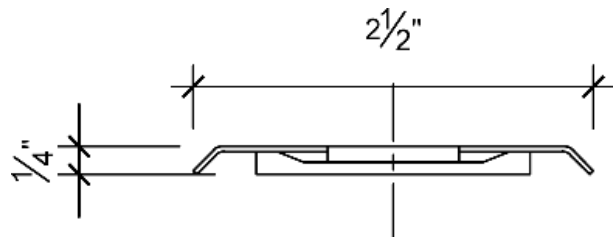
ELEVATION VIEW



ISOMETRIC VIEW

NOTE: MATERIAL IS HOT ROLLED PICKLED AND OILED
STEEL (ASTM A569) 1/32" DIA. TYPICAL

EACH CLIP COMES WITH (1) 1/4" SELF THREADING SCREW



SECTION VIEW

GENERAL NOTES:

- MATERIAL THICKNESS 13
GAGE= .0747
- WEIGHT= 5 LBS PER BAG
- 50 SETS PER BAG
- USE GROUND SPLICE CLIP TO
FASTEN TRAYS AND PROVIDE
ELECTRICAL CONTINUITY



**GROUND SPLICE CLIP
GR-CLIP
(50 per bag)**