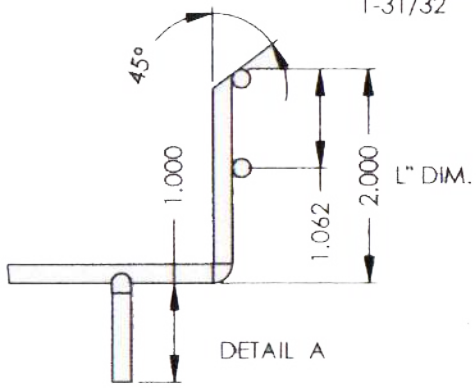
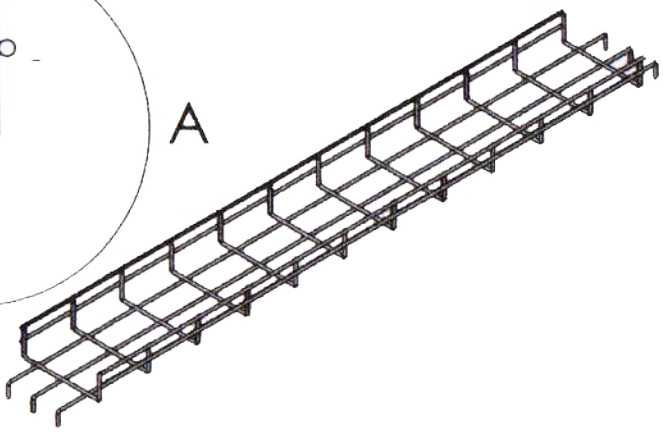
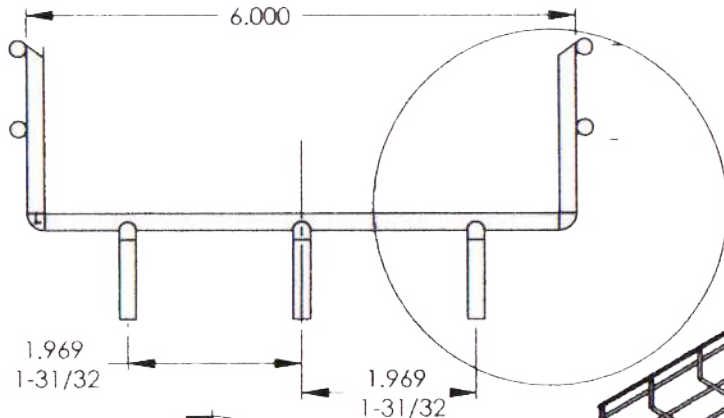




COMPONENT LIST			
L" DIM.	ITEM	MAKE FROM	DESCRIPTION
		P/N FT XX 6X48	CO WIRE .196 DIA.
2"		2X6X48	
4"		4X6X48	
6"		6X6X48	

- GENERAL NOTES:
- A) MATERIAL TO BE DIPPED, PRE-GALVANIZED STEEL TO AVOID THE FORMATION OF ZINC WISKERS.
 - B) FINISH (CARBON STEEL WIRE ONLY).
 - 1) POLYESTER POWDER COATING 1.2 - 3.0 MILS THICK.
 - C) DIMENSIONAL TOLERANCES
 - 1) GENERAL DIMENSIONS +/- 1/8" U.N.D.
 - 2) LENGTH +/- 1/4"
 - 3) WIDTH +/- 1/8"
 - 4) DEPTH +/- 1/8"
 - 5) ANGULAR FORMATION +/- 3 DEG.
 - 6) CAMBER SHALL NOT EXCEED 1/2" ON STANDARD 10' LENGTH.
 - 7) TWIST SHALL NOT EXCEED 1/2" ON STANDARD 10' LENGTH.
 - D) RIB VICE DIAMETER
 - 1) .197 (5MM) DIAMETER.
 - E) LONGITUDINAL WIRE DIAMETER.
 - 1) .197 (5MM) DIAMETER.
 - F) CROSS SECTION AREA
 - AREA = (20 WIRES X .0438 IN²) = .876 IN²
 - UL MARKING = 8 IN²



UNLESS OTHERWISE SPECIFIED. DIMENSIONS ARE IN INCHES					DEBUR AND BREAK SHARP EDGES		 ACCESS CABLE TRAYS A Product of 
REVISION	NAME	CHANGE	DATE				
A	AF		5-12-10				FLOORFLEX-TRAY
						MATERIAL:	DWG NO:
						WEIGHT:	FT XX 6 X 48
							SHEET 1 OF 1