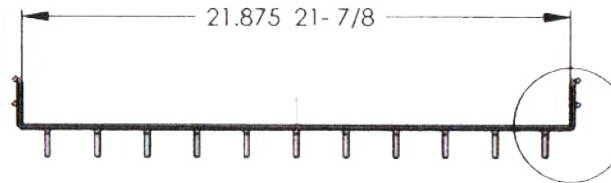
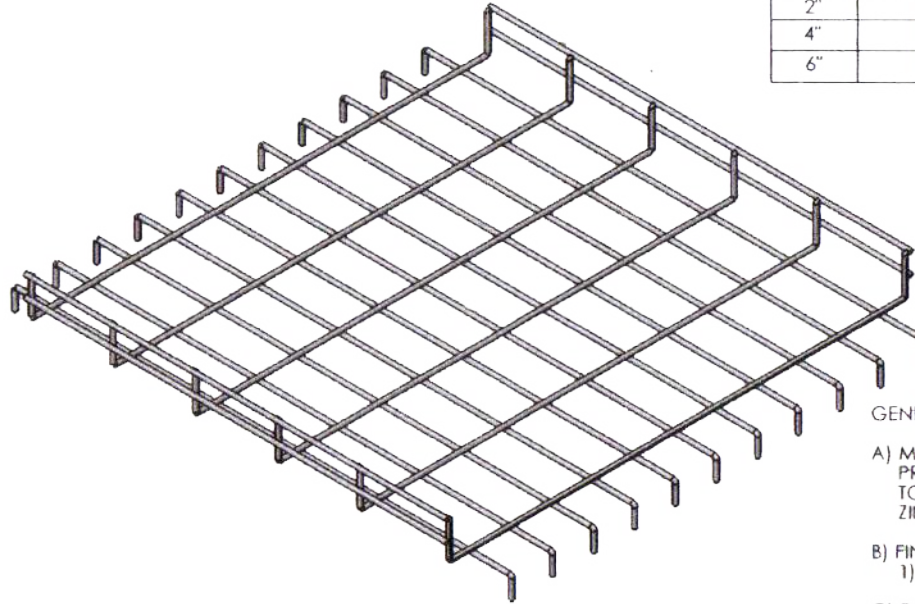
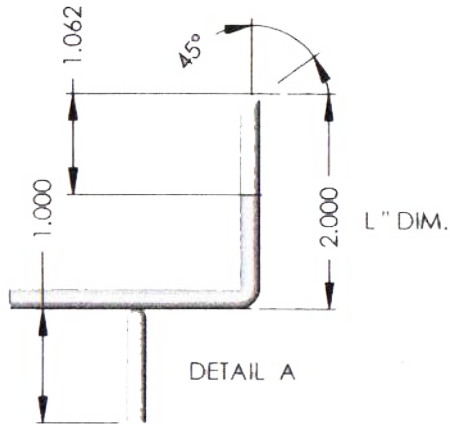
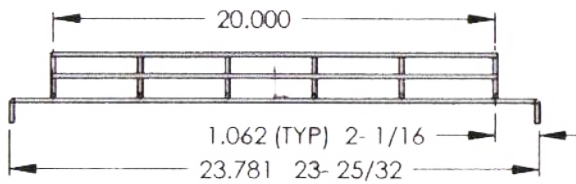
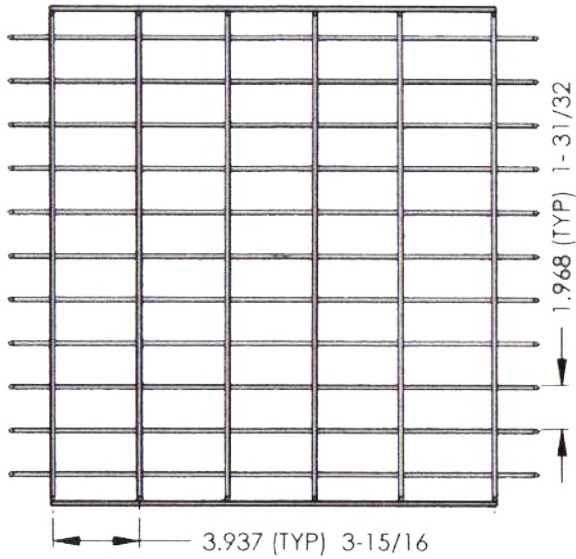


COMPONENT LIST			
L" DIM.		MADE FROM	CO WIRE .196 DIA
		P/N FT XX 24X24	
2"		2X24X24	
4"		4X24X24	
6"		6X24X24	



GENERAL NOTES:

- A) MATERIAL TO BE HOT DIPPED, PRE-GALVANIZED STEEL, ASTM A641, TO AVOID THE FORMATION OF ZINC WHISKERS.
- B) FINISH:
 - 1) POLYESTER POWER COATING.
- C) DIMENSION TOLERANCE
 - 1) WIRE SPACING +/- 1/16"
 - 2) LENGTH +/- 1/16"
 - 3) WIDTH +/- 1/8"
 - 4) DEPTH +/- 1/8"
 - 5) ANGULAR FORMATION + 3 DEG. / - 0 DEG.
 - 6) CAMBER: SHALL NOT EXCEED 1/8" ON STANDARD 2" LENGTH.
 - 7) TWIST: SHALL NOT EXCEED 1/8" ON STANDARD 2" LENGTH.
- D) WIRE DIA.
 - 1) .196" DIA.

UNLESS OTHERWISE SPECIFIED:
DIMENSIONS ARE IN INCHES.

DEBUR AND
BREAK SHARP
EDGES



REVISION	NAME	CHANGE	DATE		
A	AF		3-3-10		

TITLE:

FLOORFLEX-TRAY

DWG NO.

FT XX 24 X 24

SCALE: 1:10

SHEET 1 OF 1

MATERIAL:

WEIGHT: